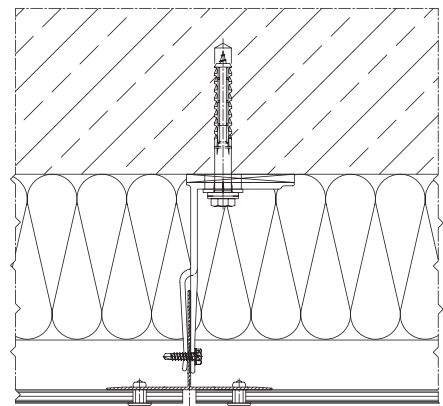
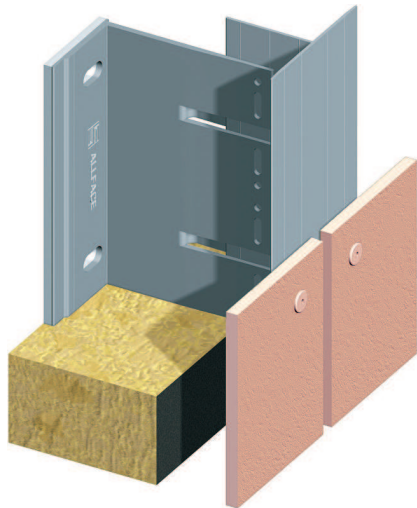


ALLFACE SYSTEM F1.10 FOR ETERNIT FACADE ELEMENTS

VISIBLE FIXING WITH RIVETS OR SCREWS

Facade fastening with rivets is a very economical method of installation due to the easy mounting. It is mainly used for metal, fibre cement and High Pressure Laminate - HPL facade elements.

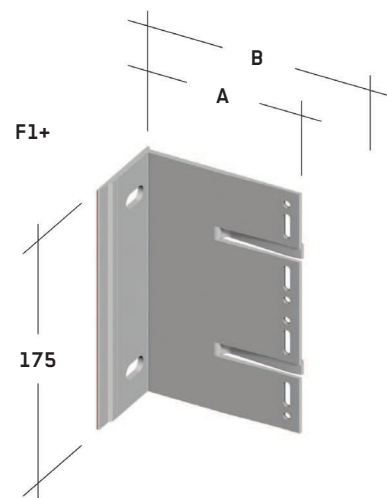
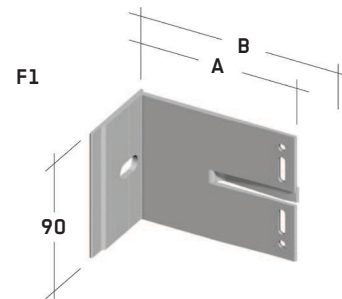


WALL BRACKET F1

Wall bracket F1 is used for vertical fixing on solid walls.

Technical Features and Benefits

- Wind pressure is passed right to the building element - no tensile load on the dowel.
- Each F1 can be used for a fixed point or a sliding point.
- The F1+ is mainly used as an anchor point. It has high load bearing capacity due to its design with a height of 175 mm combined with 2 wall fixing points.
- Dowel spacing of 125 mm for the F1+ makes it possible to fasten to a problematic subgrade.
- Integrated clamp-slide provides 38 mm of adjusting for the L- or T-profiles.
- Made of aluminum EN-AW 6060 T66



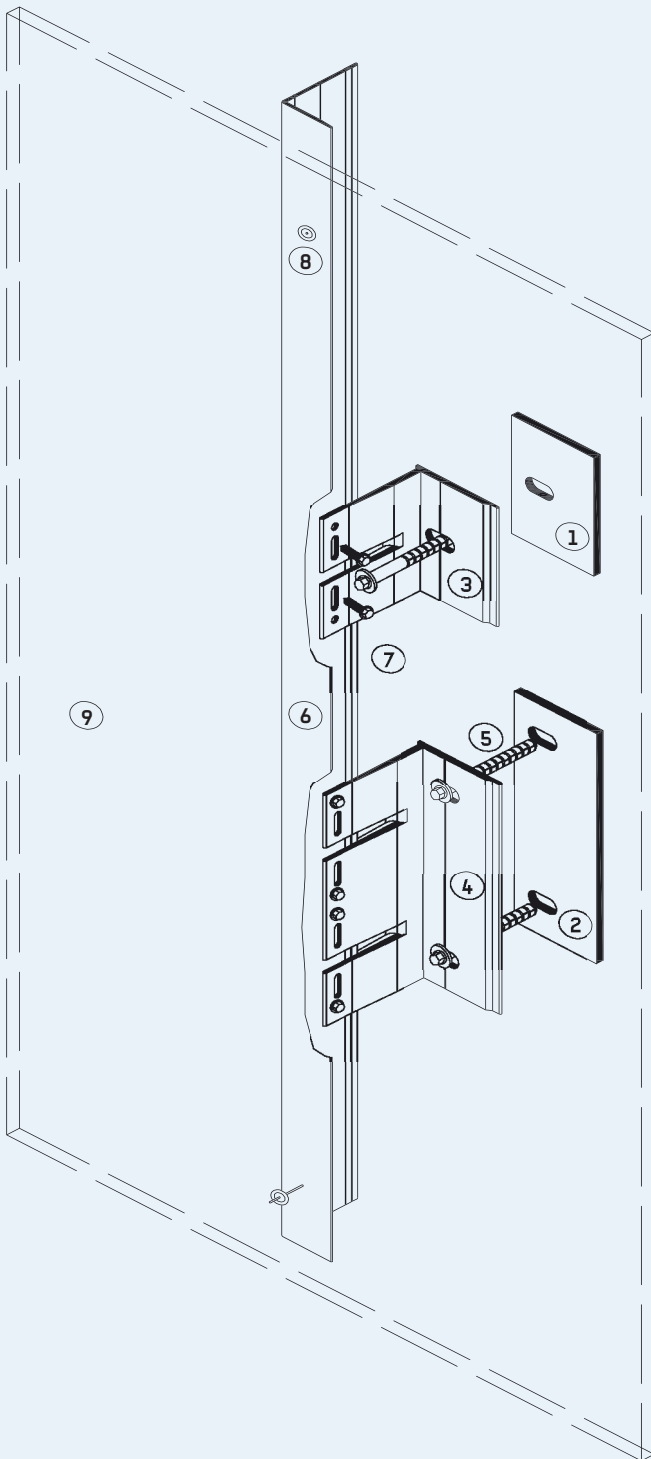
Wall Bracket	Throat depth A*	Distance to Wall B
F1.35	35 mm	37 - 75 mm
F1.50	50 mm	52 - 90 mm
F1.80	80 mm	82 - 120 mm
F1.100	100 mm	102 - 140 mm
F1.115	115 mm	117 - 155 mm
F1.135	135 mm	137 - 175 mm
F1.150	150 mm	152 - 190 mm
F1.170	170 mm	172 - 210 mm
F1.185	185 mm	187 - 225 mm
F1.220	220 mm	222 - 260 mm
F1.255	255 mm	257 - 295 mm

* other throat depths on request

SYSTEM F1.10

Visible fixing with rivets

No.	Description	Article Number
1	Insulator IF1.	I.F1
2	Insulator IF1+	I+F1
3	Bracket F1.	F1.100D11
4	Bracket F1+	F1+100D11
5	Wall Anchor	D-SKTV1000600.VZ
6	L-Profile	A-L04006020
7	self drilling screw \varnothing 4,8 x 19 mm	S-SKT4480190.A2
8	Eternit Rivet	
9	Equitone	



 **ALLFACE**
Smart Fixing Systems

ALLFACE Befestigungstechnologie GmbH
A-2544 Leobersdorf, Ared Straße 29, Büro 222

T +43 (0)2256 62518

F +43 (0)2256 62518 18

E office@allface.com

www.allface.com



Installation Video